



Satisfying Demands With Excellence

 www.hetpump.co.in

 +91 9426462279

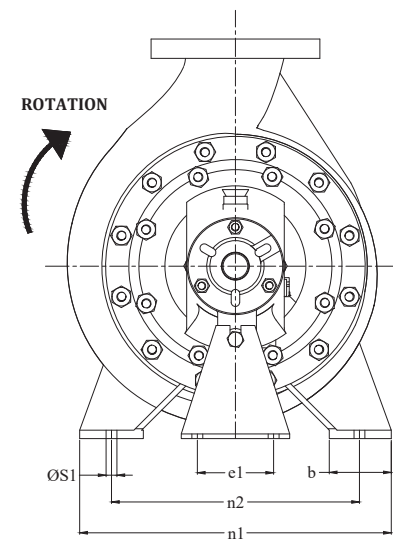
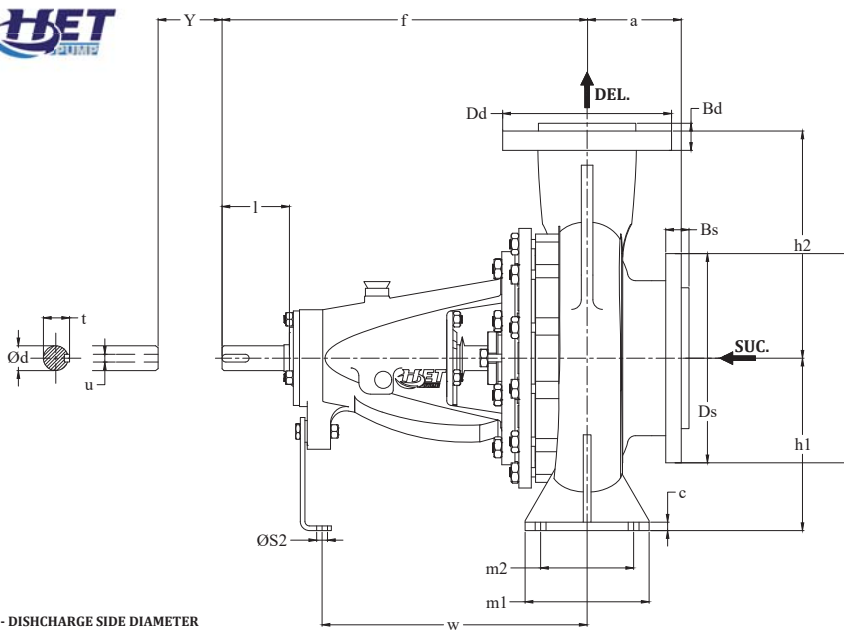
 info@hetpump.co.in

sales@hetpump.co.in

CENTRIFUGAL PUMP “HCP” SERIES



Design Confirming to DIN 24256(DIN EN 22858) & ISO 2858



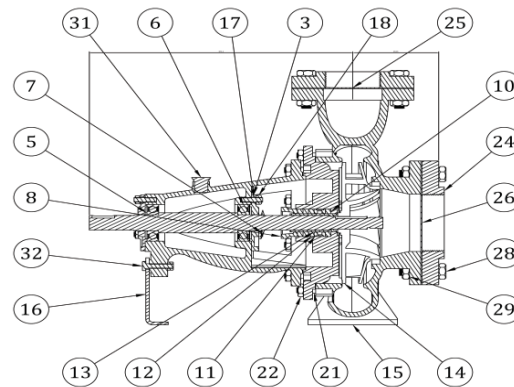
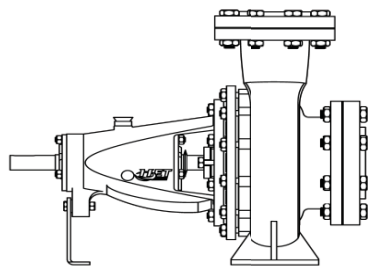
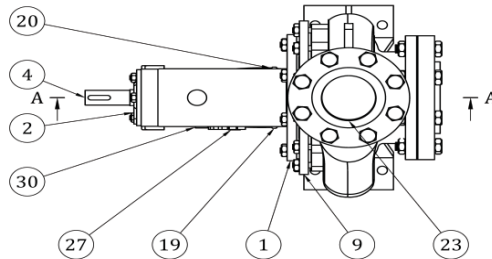
Dd - DISCHARGE SIDE DIAMETER
 Bd - DISCHARGE SIDE FLANGE WIDTH
 Ds - SUCTION SIDE DIAMETER
 Bs - SUCTION SIDE FLANGE WIDTH
 Dd1 - DISCHARGE CAMPANION FLANGE
 Bd1 - DISCHARGE CAMPANION FLANGE WIDTH
 Ds1 - SUCTION CAMPANION FLANGE
 BS1 - SUCTION CAMPANION FLANGE WIDTH

**Pump are as per EN 22858 (DIN 24256) And ISO 2858
 With Design RPM - 1440 & 2900 RPM .
 ** Also available in Customize Design ****

FOR CI CASTING - FLANGES AS PER DIN 2533 PN 16
 FOR SS CASTING - FLANGES AS PER DIN 2543 PN 16

ADDITIONAL REMARK:
 Drilling Dimension also provided As per DIN , ASA, BS
 etc. (Optional As per customer requirement)

PUMP MODEL	TYPE	PUMP DIMENSIONS																FOOT DIMENSIONS										SHAFT END DIMENSIONS					Y	FLANGE DIMENSIONS C.I.								FLANGE DIMENSIONS S.S							
		DEL.	SUC.	a	f	h1	h2	b	c	m1	m2	n1	n2	Øs1	Øs2	e1	w	Ød	l	t	u	DIN 2533 PN16				EXECUTED DIMENSIONS				DIN 2543 PN16				EXECUTED DIMENSIONS															
																						Dd	Bd	Ds	Bs	Dd1	Bd1	Ds1	Bs1	Dd	Bd	Ds		Bs	Dd1	Bd1	Ds1	Bs1	Dd	Bd	Ds	Bs	Dd1	Bd1	Ds1	Bs1			
HCP 32/130	H1	32	50	80	385	112	140	50	14	100	70	190	140	14	15	110	285	24	50	27	8	100	140	18	165	20	140	20	165	22	140	18	165	20	140	18	165	20											
HCP 32/160				80	385	132	160	50	14	100	70	240	190	14	15	110	285	24	50	27	8	100	140	18	165	20	140	20	165	22	140	18	165	20	140	18	165	20											
HCP 32/200				80	385	160	180	50	14	100	70	240	190	14	15	110	285	24	50	27	8	100	140	18	165	20	140	20	165	22	140	18	165	20	140	18	165	20											
HCP 32/260	H2	40	65	100	500	180	225	65	14	125	95	320	250	14	15	110	370	32	80	35	10	100	140	18	165	20	140	20	165	22	140	18	165	20	140	18	165	20											
HCP 40/130	H1			80	385	112	140	50	14	100	70	210	160	14	15	110	285	24	50	27	8	100	150	18	185	20	150	20	191	24	150	18	191	18	150	18	191	18											
HCP 40/160				80	385	132	160	50	14	100	70	240	190	14	15	110	285	24	50	27	8	100	150	18	185	20	150	20	191	24	150	18	191	18	150	18	191	18											
HCP 40/200		100	385	160	180	50	14	100	70	265	212	14	15	110	285	24	50	27	8	100	150	18	185	20	150	20	191	24	150	18	191	18	150	18	191	18													
HCP 40/260	H2	40	65	100	500	180	225	65	14	125	95	320	250	14	15	110	370	32	80	35	10	100	150	18	185	20	150	20	191	24	150	18	191	18	150	18	191	18											
HCP 40/320				125	500	200	250	65	14	125	95	345	280	14	15	110	370	32	80	35	10	100	150	18	185	20	150	20	191	24	150	18	191	18	150	18	191	18											
HCP 50/160	H1	50	80	100	385	160	180	50	14	100	70	265	212	14	15	110	285	24	50	27	8	100	165	20	200	22	165	22	200	26	165	20	200	20	165	20	200	20											
HCP 50/200				100	385	180	200	50	14	100	70	265	212	14	15	110	285	24	50	27	8	100	165	20	200	22	165	22	200	26	165	20	200	20	165	20	200	20											
HCP 50/260				H2	125	500	180	225	65	14	125	95	320	250	14	15	110	370	32	80	35	10	100	165	20	200	22	165	22	200	26	165	20	200	20	165	20	200	20										
HCP 50/320	125	500	225		260	65	14	125	95	345	280	14	15	110	370	32	80	35	10	100	165	20	200	22	165	22	200	26	165	20	200	20	165	20	200	20													
HCP 65/160	H2	65	100	100	500	160	200	65	14	125	95	280	212	14	15	110	370	32	80	35	10	140	165	20	220	24	191	24	235	28	191	18	229	20	191	18	229	24											
HCP 65/200				100	500	180	225	65	14	125	95	320	250	14	15	110	370	32	80	35	10	140	165	20	220	24	191	24	235	28	191	18	229	20	191	18	229	24											
HCP 65/260				125	500	200	250	80	16	160	120	360	280	18	15	110	370	32	80	35	10	140	165	20	220	24	191	24	235	28	191	18	229	20	191	18	229	24											
HCP 65/320	H3	80	125	125	530	225	280	80	16	160	120	400	315	18	15	110	370	42	110	45	12	140	165	20	220	24	191	24	235	28	191	18	229	20	191	18	229	24											
HCP 80/160	H2			125	500	180	225	65	14	125	95	320	250	14	15	110	370	32	80	35	10	140	200	22	250	26	200	26	270	30	200	20	254	22	200	20	254	24											
HCP 80/200				125	500	180	250	65	14	125	95	345	280	14	15	110	370	32	80	35	10	140	200	22	250	26	200	26	270	30	200	20	254	22	200	20	254	24											
HCP 80/260		H3	125	500	225	280	80	16	160	120	400	315	18	15	110	370	32	80	35	10	140	200	22	250	26	200	26	270	30	200	20	254	22	200	20	254	24												
HCP 80/320	125		530	250	315	80	16	160	120	400	315	18	15	110	370	42	110	45	12	140	200	22	250	26	200	26	270	30	200	20	254	22	200	20	254	24													
HCP 80/400	H2	100	125	125	530	280	355	80	16	160	120	435	355	18	15	110	370	42	110	45	12	140	200	22	250	26	200	26	270	30	200	20	254	22	200	20	254	24											
HCP 100/200				125	500	200	380	80	16	160	120	360	280	18	15	110	370	32	80	35	10	140	220	24	250	26	235	26	270	30	229	20	254	22	229	24	254	24											
HCP 100/260				H3	140	530	225	380	80	16	160	120	400	315	18	15	110	370	42	110	45	12	140	220	24	250	26	235	26	270	30	229	20	254	22	229	24	254	24										
HCP 100/320	140	530	250		315	80	16	160	120	400	315	18	15	110	370	42	110	45	12	140	220	24	250	26	235	26	270	30	229	20	254	22	229	24	254	24													
HCP 100/400	140	530	280		355	100	18	200	150	500	400	23	15	110	370	42	110	45	12	140	220	24	250	26	235	26	270	30	229	20	254	22	229	24	254	24													
HCP 125/260	H2	125	150	140	530	280	355	80	16	160	120	400	315	18	15	110	370	42	110	45	12	140	250	26	265	26	270	30	300	34	254	22	265	22	254	24	265	25											
HCP 125/320				140	530	280	355	100	18	200	150	500	400	23	15	110	370	42	110	45	12	140	250	26	265	26	270	30	300	34	254	22	265	22	254	24	265	25											
HCP 125/400				140	530	315	400	100	18	200	150	500	400	23	15	110	370	42	110	45	12	140	250	26	265	26	270	30	300	34	254	22	265	22	254	24	265	25											



32	1	HEX FOR SUPPORT LEG
31	1	Drain plug
30	1	Oil level glass
29	16	NUT FOR SUCTION FLANGE
28	16	HEX BOLT FOR FLANGE
27	1	COMPANY LOGO
26	1	GASKET (1)
25	1	GASKET
24	1	SUCTION FLANGE
23	1	DELIVERY FLANGE
22	20	NUT FOR CASING
21	20	STUD FOR CASING
20	1	STUD FOR GLAND
19	1	STUD FOR GLAND
18	7	NUT FOR BRG. HSG
17	6	STUD FOR BRG. HSG
16	1	SUPPORT FLANGE
15	1	Casing
14	1	IMPELLER
13	1	S.S. SLEEVE
12	3	GLAND PACKING
11	1	LANTERN RING
10	1	GLAND PACKING
9	1	CASING COVER
8	1	GLAND
7	1	LIQUID DEFLECTOR
6	1	BEARING PUMP SIDE
5	1	BEARING DRIVE END
4	1	PUMP SHAFT
3	1	BEARING COVER
2	1	BEARING COVER
1	1	BEARING HOUSING
Sr. No.	Qty	Part Name

DESIGN :

"HET" Make "HCP" Series are Horizontal, Single-Stage Volute casing Centrifugal with dimension and nominal rating as per EN22858 (DIN24256) and ISO 2858 for chemical application as well as other water process application. The Design is dismantling of the complete bearing unit from the drive end. Without the pump casing having to be disconnect from the piping.
 The range of total 29 model pump sizes with the maximum interchangeability utilized. These are covered with only three shaft sizes. For a given shaft size, shaft, bearing, shaft seal, impeller nut are interchangeable.

DESIGN FEATURE :

- ➔ "HCP" Centrifugal Process Pumps Offered with closed or Semi Open impeller.
 Impellers are provided either with Back Vane or Back Wear Ring to minimize Axial Thrust and Gland Leakage.
- ➔ This pump available with Close type Impeller also available with Semi open type Impeller.
- ➔ Flange Rating PN 16 to PN 64 and drilled to DIN - 2533 PN16 for C.I. FG 200 IS 210 & DIN2543 PN16 for alloy steel standard to meet ISO 2858 requirements, Also can be supplied drilled with ANSI.
- ➔ Flange position - Suction flange axial, Discharge flange radially upwards position
- ➔ Casing Pressure :- 10 kg/cm² for C.I., 16 kg/cm² for all steel & 25kg/cm² for S.G. Iron, i.e. Casing Pressure = Shut off Head + Suction Pressure.
- ➔ The Bearing are oil lubricated / Permanent grease filled both option are available. Standard model with available oil level sight glass. One roller bearing on the pump end. Two/One angular contact bearing / roller bearing back to back arrangement at drive end
- ➔ Jacketing for heating/cooling offered for Casing, S/Box, Casing Pedestal and Bearing- Housing
- ➔ Various Shaft Sealing Available are- 1.Gland Packing (ASBASTOSE / NON ASBASTOES depending on the services.), 2. Molded Graphite Ring (Grafoil Packing), 3.Mechanical Seals Arrangement as per customer requirements.
- ➔ Standard Bearing / Special Heavy Duty Bearing arrangements available.

TECHNICAL DATA :		MATERIALS OF CONSTRUCTION	
➔ Capacity	: Up to 1500 m ³ /hr	➔ As Per ASTM/ DIN Standards	
➔ Head	: Up to 250 mtr	➔ Graded Grey Cast Iron	
➔ Speed	: Up to 3600 RPM	➔ Carbon Steel (WCB) , Alloy Steel	
➔ Temperature	: Up to 300°C	➔ CF8, CF8M, CF3, CF3M(SS 316L)	
➔ Casing Pressure	: Up to 25 Kg/cm ²	➔ ALLOY 20, CD4MCu , Nickel & Ni- Alloys	
➔ Shaft Seal	: Gland Packing /Mechanical Seal	➔ Ni-Resist , 2 % Ni Cl , R55 , HASTELLOY – B/C.	
➔ No. Of Stage	: Single	➔ Also any special combination requirement with customize material of construction as per application	
➔ Direction of Rotation	: Clock wise from Shaft End		

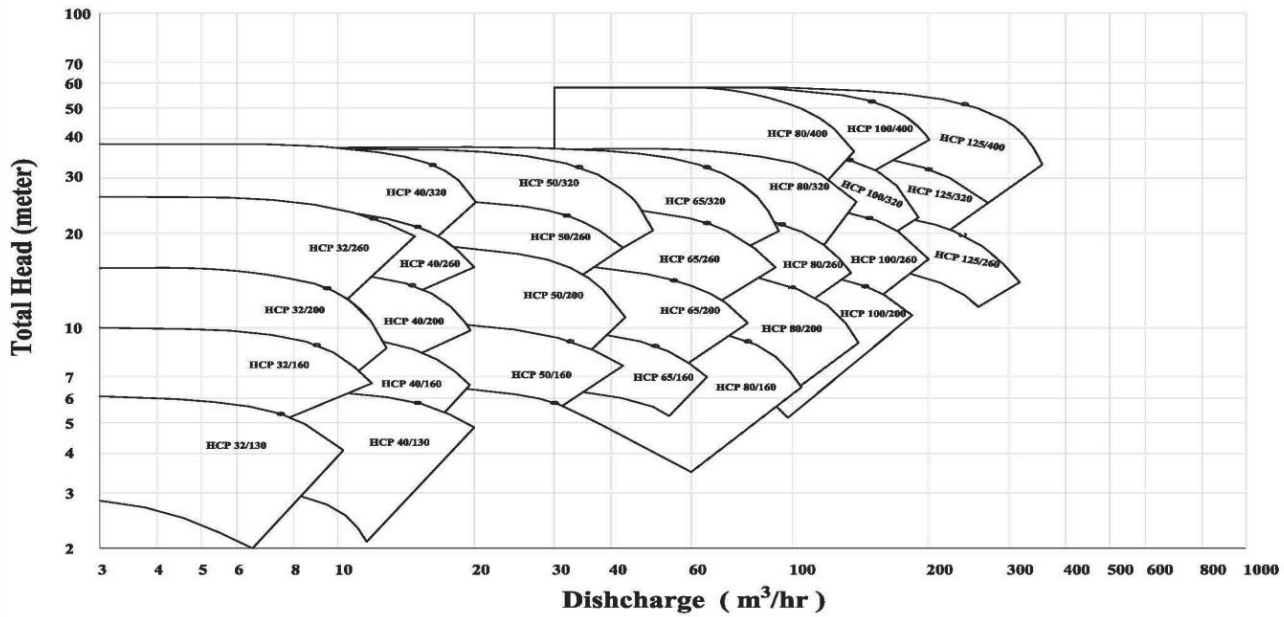
APPLICATION	SPECIAL FEATURE
Chemical Industries, Chemical Process Industries, Power Plant, Petro Chemical , Nuclear Plant, Refinery , Paper Industries, Sugar Industries, Circulation of water in Industries, Mine water , Lift irrigation , Firefighting Service, Pumping Brines ,Oils, Corrosive liquid, Hydro carbon , Thermic fluids, Liquefied Gases, Condensates, Viscous liquids , Salt solutions , Organic & Inorganic Chemical , Hydro Carbon , Volatile Liquid , Water Treatment & Distribution system etc.	<ul style="list-style-type: none"> ➔ Standard dimension as per EN 22858 (DIN 24256) and ISO 2858 with maximum Interchangeability. ➔ Back-pull out design for instant Repair/ Inspection ➔ High Efficiency , Steady flow, Low NPSH, Low maintenance ➔ Available with Various Material of construction as per customer requirement



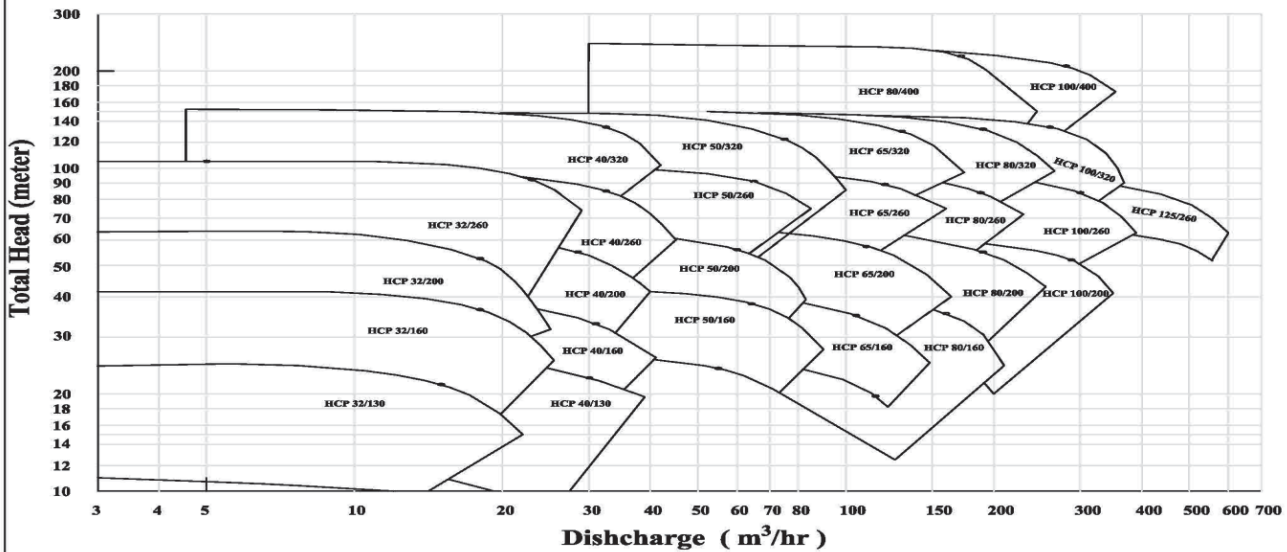
Satisfying Demands With Excellence

"HCP" SERIES PERFORMANCE FAMILY CURVE

1. (1450 RPM) HCP PUMP



2. (2900 RPM) HCP PUMP



NOTE :- We are provide semi open impeller curves, 60 hz design curves, 960 rpm curves and special curves on customers request....

OUR OTHER MANUFACTURE PRODUCT RANGE



HET ENGINEERING & PUMP INDUSTRIES PRIVATE LIMITEDVATE LIMITED

Office & Works :- 53, Sahitya Industrial Estate, Kujad- Gatrad Road, Bakrol, Ahmedabad - 382430. Gujarat India.

Contact :- +91- 09426462279, Email :- sales@hetpump.co.in, info@hetpump.co.in, Web: www.hetpump.co.in



Satisfying Demands With Excellence